

# CAST

**Centrifugal single-inlet, high-pressure fans with casing and straight-blade impeller made from sheet steel to transport dust and solids**



Robust motor bedplate

**Fan:**

- Steel sheet casing
- Sheet steel straight-blade impeller

**Motor:**

- Motors with IE-2 efficiency, except for motors with lower powers than 0.75 kW, monophase motors or two-speed motors
- Class F motors with ball bearings, IP55 protection
- Three-phase 230/400V.-50Hz. (up to 5.5CV.) and 400/690V.-50Hz. (power over 5.5CV.)
- Max. air temperature to transport: -20°C.+ 120°C

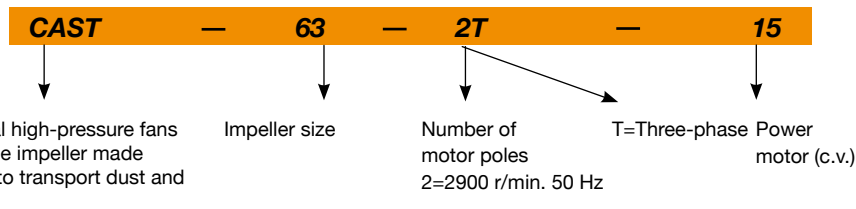
**Finish:**

- Anticorrosive finish in polyester resin, polymerised at 190°C, after alkaline degreasing and phosphate-free pre-treatment.

**On request:**

- Special windings for different voltages
- Fan designed to transport air up to 250°C
- ATEX certification, Category 2

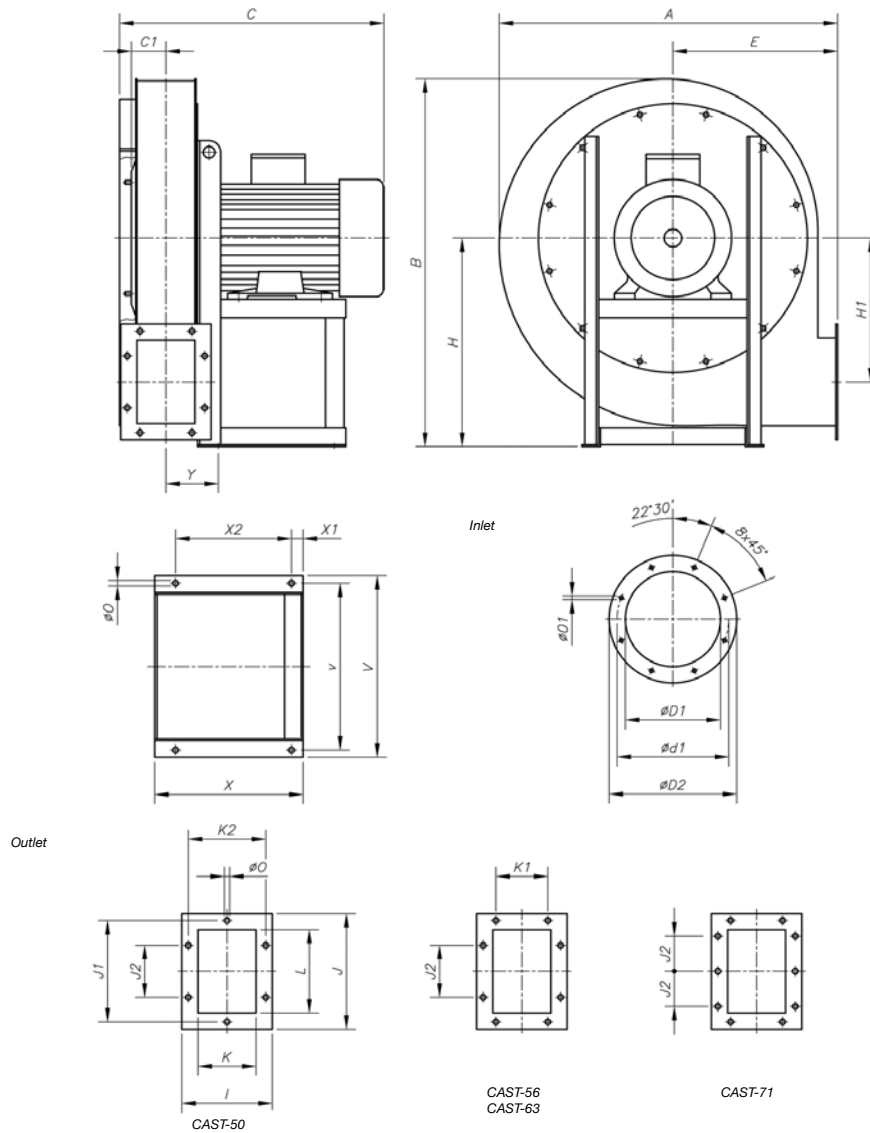
## Order code



## Technical characteristics

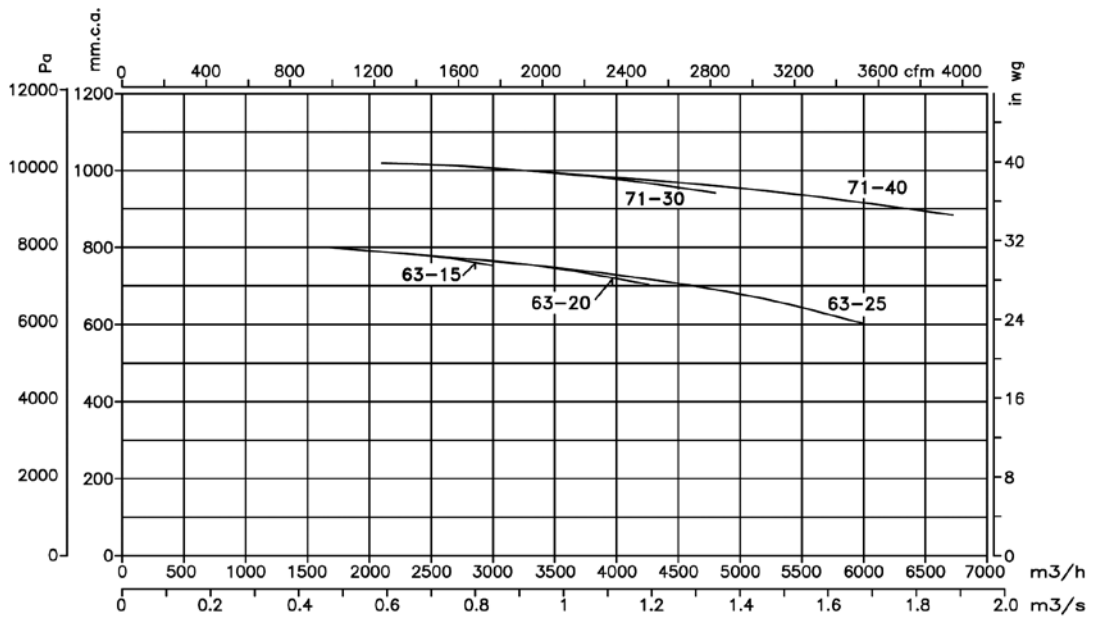
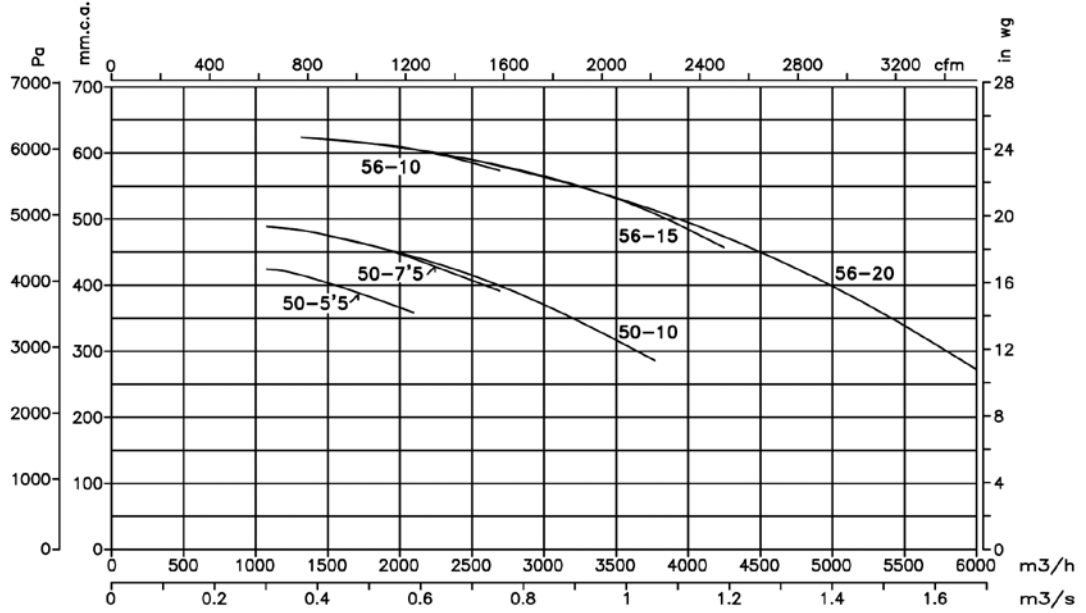
Model	Speed (r/min)	Maximum admissible current (A)		Installed Power (kW)	Maximum Airflow (m³/h)	Sound pressure level dB(A)	Approx. weight (Kg)
		400V	690V				
CAST-50-2T-5.5	2895	7.60	4.40	4.0	2100	85	73
CAST-50-2T-7.5	2855	10.50	6.10	5.5	2700	86	87
CAST-50-2T-10	2855	13.90	8.00	7.5	3780	87	92
CAST-56-2T-10	2855	13.90	8.00	7.5	2700	89	130
CAST-56-2T-15	2915	20.50	11.80	11.0	4260	90	191
CAST-56-2T-20	2900	27.00	15.60	15.0	6000	90	202
CAST-63-2T-15	2915	20.50	11.80	11.0	3000	92	224
CAST-63-2T-20	2900	27.00	15.60	15.0	4260	93	235
CAST-63-2T-25	2915	32.50	18.80	18.5	6000	93	245
CAST-71-2T-30	2925	39.00	22.50	22.0	4800	95	297
CAST-71-2T-40	2945	53.00	30.60	30.0	6720	96	351

## Dimensions in mm



Model	Fan													Outlet						Inlet									
	A	B	C	C1	E	H	H1	ØO	v	V	X	X1	X2	Y	I	J	J1	J2	K	K1	K2	L	ØO	n°	Ød1	ØD1	ØD2	ØO1	n°
	drills																												
CAST-50-2T-5'5	730	795	510	75	355	450	310	12	300	332	260	25	200	70	195	250	219	112	125	-	167	180	11'5	6	241	205	275	11'5	8
CAST-50-2T-7'5	730	795	570	75	355	450	310	12	360	392	320	25	250	70	195	250	219	112	125	-	167	180	11'5	6	241	205	275	11'5	8
CAST-50-2T-10	730	795	570	75	355	450	310	12	360	392	320	25	250	70	195	250	219	112	125	-	167	180	11'5	6	241	205	275	11'5	8
CAST-56-2T-10	825	895	595	86	400	500	350	12	360	392	320	25	250	79	210	270	241	112	140	112	182	200	11'5	8	265	229	299	11'5	8
CAST-56-2T-12'5	825	895	595	86	400	500	350	12	360	392	320	25	250	79	210	270	241	112	140	112	182	200	11'5	8	265	229	299	11'5	8
CAST-56-2T-15	825	895	730	86	400	500	350	14	400	440	425	30	340	79	210	270	241	112	140	112	182	200	11'5	8	265	229	299	11'5	8
CAST-56-2T-20	825	895	730	86	400	500	350	14	400	440	425	30	340	79	210	270	241	112	140	112	182	200	11'5	8	265	229	299	11'5	8
CAST-63-2T-15	895	990	750	100	425	560	390	14	400	440	425	30	340	89	230	294	265	112	160	112	200	224	11'5	8	292	255	325	11'5	8
CAST-63-2T-20	895	990	750	100	425	560	390	14	400	440	425	30	340	89	230	294	265	112	160	112	200	224	11'5	8	292	255	325	11'5	8
CAST-63-2T-30	895	990	750	100	425	560	390	14	400	440	425	30	340	89	230	294	265	112	160	112	200	224	11'5	8	292	255	325	11'5	8
CAST-71-2T-30	1005	1115	780	110	475	630	435	14	450	500	470	35	370	100	250	320	292	112	180	112	219	250	11'5	10	332	286	366	11'5	8
CAST-71-2T-40	1005	1115	855	110	475	630	435	16	510	700	500	40	385	100	250	320	292	112	180	112	219	250	11'5	10	332	286	366	11'5	8

Characteristic Curves



## Positions

LG 270 standard supply  
 LG 180 position on request and with  
 special fixing measurements.



Supplied on request  
 RD 180 position with special fixing  
 measurements.



## Accessories

See the accessories section.

