

CA

**Centrifugal single-inlet, high-pressure fans
with casing and sheet steel impeller**


Fan:

- Casing made from cast aluminium
- Impeller made from cast aluminium

Motor:

- Motors with IE-2 efficiency, except for motors with lower powers than 0.75 kW and single-phase motors.
- Class F motors, with bearings, IP55 protection.
- Three-phase 230/400V.-50Hz. (up to 5.5CV.) and 400/690V.-50Hz. (power over 5.5CV.)
- Max. air temperature to transport: -20°C.+ 120°C

Finish:

- Anticorrosive finish in polyester resin, polymerised at 190°C, after alkaline degreasing and phosphate-free pre-treatment.

On request:

- Special windings for different voltages
- Fan designed to transport air up to 250°C
- ATEX certification, Category 2

Built from thick aluminium to reduce noise and vibrations

Order code



CA: Centrifugal single-inlet, high-pressure fans with casing and impeller made from cast aluminium

Impeller size

Number of motor poles
2=2900 r/min 50 Hz

T=Three-phase

Motor power (CV)

Technical characteristics

Model	Speed (r/min)	Maximum admissible current (A)			Installed power (kW)	Maximum airflow (m³/h)	Sound pressure level dB(A)	Approx. weight (Kg)
		230V	400V	690V				
CA-234-2T	2710	1.92	1.11		0.37	220	72	10.2
CA-234-2M	2780	2.53			0.37	220	72	10.2
CA-142-2T-0.33	2710	1.29	0.75		0.25	275	73	22.5
CA-142-2T-0.5	2710	1.92	1.11		0.37	350	73	22.5
CA-148-2T-0.75	2760	2.57	1.49		0.55	400	74	28.0
CA-148-2T-1	2770	2.78	1.60		0.75	490	75	30.0
CA-148-2T-1.5	2860	4.20	2.40		1.10	610	76	32.0
CA-154-2T-1.5	2860	4.20	2.40		1.10	600	78	46.0
CA-154-2T-2	2770	5.44	3.13		1.50	800	79	48.5
CA-154-2T-3	2885	7.77	4.47		2.20	1280	80	50.5
CA-160-2T-2	2770	5.44	3.13		1.50	500	83	57.0
CA-160-2T-3	2885	7.77	4.47		2.20	900	84	58.0
CA-166-2T-3	2885	7.77	4.47		2.20	500	84	67.0
CA-166-2T-4	2900	10.18	5.88		3.00	950	85	73.0
CA-166-2T-5.5	2870	13.60	7.82		4.00	1600	86	76.0
CA-172-2T-5.5	2870	13.60	7.82		4.00	1100	87	90.0
CA-172-2T-7.5	2880		10.50	6.09	5.50	1710	88	112.0
CA-172-2T-10	2870		14.50	8.41	7.50	2300	89	124.0



Erp. BEP (best efficiency point) characteristics

MC	Measurement category	ηe[%]	Efficiency
EC	Efficiency category	N	Efficiency grade
S	Static	[kW]	Input power
T	Total	[m³/h]	Airflow
VSD	Variable-speed drive	[mmH₂O]	Static or total pressure (According to EC)
SR	Specific ratio	[RPM]	Speed

Model	MC	EC	VSD	SR	ηe[%]	N	(kW)	(m³/h)	(mmH₂O)	(RPM)
CA-142-2T-0.33	A	S	NO	1.03	48.2%	63.7	0.338	213	281.30	2745
CA-142-2T-0.5	A	S	NO	1.03	48.7%	63.7	0.373	238	279.93	2815
CA-148-2T-0.75	A	S	NO	1.04	52.2%	63.9	0.763	385	379.72	2780
CA-148-2T-1	A	S	NO	1.04	52.4%	63.9	0.808	391	397.30	2807
CA-148-2T-1.5	A	S	NO	1.04	52.6%	63.9	0.843	407	399.98	2915



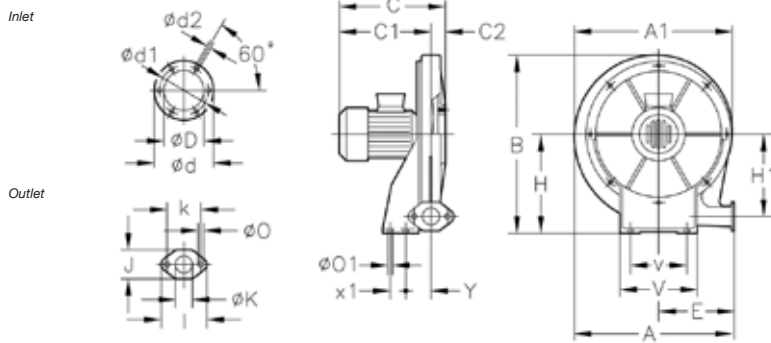
Erp. BEP (best efficiency point) characteristics

MC	Measurement category	ηe[%]	Efficiency
EC	Efficiency category	N	Efficiency grade
S	Static	[kW]	Input power
T	Total	[m³/h]	Airflow
VSD	Variable-speed drive	[mmH₂O]	Static or total pressure (According to EC)
SR	Specific ratio	[RPM]	Speed

Model	MC	EC	VSD	SR	ηe[%]	N	(kW)	(m³/h)	(mmH₂O)	(RPM)
CA-154-2T-1.5	A	S	NO	1.05	54.7%	64.0	1.298	560	465.08	2869
CA-154-2T-2	A	S	NO	1.05	55.0%	64.0	1.373	556	497.84	2829
CA-154-2T-3	A	S	NO	1.06	55.5%	64.1	1.521	613	505.41	2957
CA-160-2T-2	A	S	NO	1.07	52.8%	60.9	1.690	500	655.13	2790
CA-160-2T-3	A	S	NO	1.07	56.9%	64.1	2.027	696	607.81	2911
CA-166-2T-3	A	S	NO	1.08	53.8%	61.0	2.065	500	815.01	2909
CA-166-2T-4	A	S	NO	1.08	58.6%	64.2	2.929	851	740.17	2900
CA-166-2T-5.5	A	S	NO	1.09	58.6%	64.2	2.890	764	813.24	2919
CA-172-2T-5.5	A	S	NO	1.10	57.6%	61.3	4.436	1015	923.89	2876
CA-172-2T-7.5	A	S	NO	1.10	58.3%	61.4	4.990	1194	893.36	2905
CA-172-2T-10	-	-	-	1.11	-	-	5.169	1171	945.02	2921

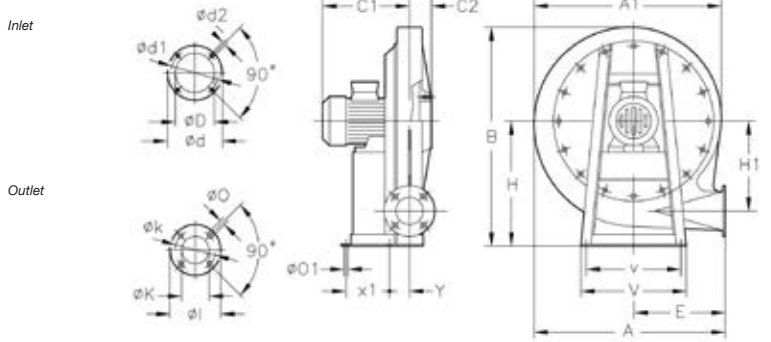
Dimensions in mm

CA-234



Model	A	A1	B	C	C1	C2	øD	ød	ød1	ød2	E	H	H1	I	J	øK	k	øO	øO1	V	v	x1	Y
CA-234-2T-0.33	376	381	415	272	242.5	29.5	98	130	115	M4	175	225	187	98	63	40	72	9	9	180	120	40	54
CA-234-2M-0.33	376	381	415	272	242.5	29.5	98	130	115	M4	175	225	187	98	63	40	72	9	9	180	120	40	54

CA-142...172



Model	A	A1	B	C	C1	C2	øD	ød	ød1	ød2	E	H	H1	I	J	øK	k	øO	øO1	V	v	x1	Y
CA-142-2T-0.33	494	488	540	270	221.52	48.5	90	160	130	M8	240	301	235	120	60	90	11	12	300	270	130	51	
CA-142-2T-0.5	494	488	540	290	241.5	48.5	90	160	130	M8	240	301	235	120	60	90	11	12	300	270	130	51	
CA-148-2T-0.75	563	557.5	639	308.5	251.5	57	100	170	140	M8	270	360	269.5	150	73	110	11	12	330	290	140	60	
CA-148-2T-1	563	557.5	639	324.5	267.5	57	100	170	140	M8	270	360	269.5	150	73	110	11	12	330	290	140	60	
CA-148-2T-1.5	563	557.5	639	324.5	267.5	57	100	170	140	M8	270	360	269.5	150	73	110	11	12	330	290	140	60	
CA-154-2T-1.5	630	625	708	348	268.5	79.5	115	183	155	M10	300	395	308	160	80	120	13	12	356	320	210	62	
CA-154-2T-2	630	625	708	371	291.5	79.5	115	183	155	M10	300	395	308	160	80	120	13	12	356	320	210	62	
CA-154-2T-3	630	625	708	396	316.5	79.5	115	183	155	M10	300	395	308	160	80	120	13	12	356	320	210	62	
CA-160-2T-2	708	699	785	381	291	90	130	230	192	M10	336	440	338	160	85	120	13	12	373	322	220	62	
CA-160-2T-3	708	699	785	406	316	90	130	230	192	M10	336	440	338	160	85	120	13	12	373	322	220	62	
CA-166-2T-3	759	752	866	399	319.5	79.5	140	230	200	M10	364	490	372	160	85	120	13	12	450	400	245	70	
CA-166-2T-4	759	752	866	423	343.5	79.5	140	230	200	M10	364	490	372	160	85	120	13	12	450	400	245	70	
CA-166-2T-5.5	759	752	866	445	365.5	79.5	140	230	200	M10	364	490	372	160	85	120	13	12	450	400	265	70	
CA-172-2T-5.5	818	813	923	451	371	80	148	230	200	M10	390	516	404	175	90	140	13	12	450	400	260	78	
CA-172-2T-7.5	818	813	923	492	412	80	148	230	200	M10	390	516	404	175	90	140	13	12	450	400	300	78	
CA-172-2T-10	818	813	923	492	412	80	148	230	200	M10	390	516	404	175	90	140	13	12	450	400	300	78	

Acoustic features

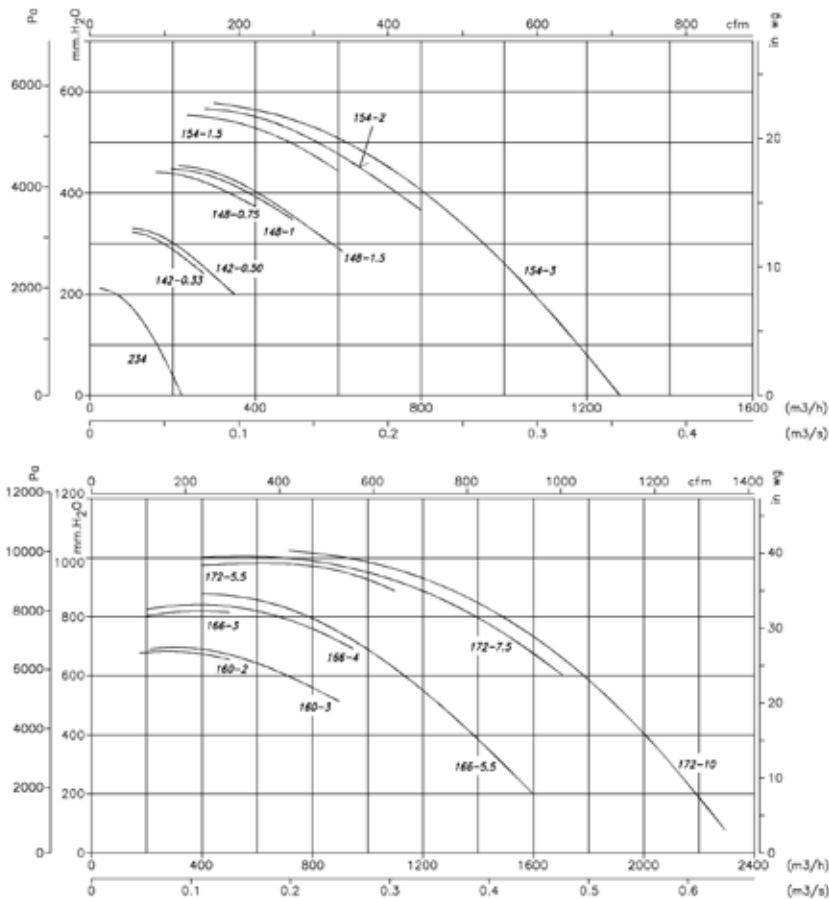
Sound power Lw(A) spectrum in dB(A) via frequency band in Hz.

Model	63	125	250	500	1000	2000	4000	8000	Model	63	125	250	500	1000	2000	4000	8000
234	38	51	65	72	80	79	73	64	160-3	55	68	82	89	97	95	89	81
142	39	52	66	73	81	80	74	65	160-4	56	69	83	90	98	96	90	82
148-1	44	57	71	78	86	84	78	70	166-4	56	69	83	90	98	96	90	82
148-1,5	45	58	72	79	87	85	79	71	166-5,5	57	70	84	91	99	97	91	83
154-1,5	47	60	74	81	89	87	81	73	172-5,5	59	72	86	93	101	100	94	85
154-2	48	61	75	82	90	88	82	74	172-7,5	60	73	87	94	102	101	95	86
154-3	49	62	76	83	91	89	83	75	172-10	61	74	88	95	103	102	96	87

Characteristic Curves

Q = Airflow in m³/h, m³/s and cfm.

Pe= Static pressure in mm.w.c., Pa and inwg.



Positions

LG 270 standard supply
 LG 180 positions on request and with special fixing measures.



Accessories

See accessories section.

