

TUB

In-line fans with removable units and small size for high temperatures (250°C) designed to work interleaved in chimney ducts



Fan:

- Steel sheet casing
- Impeller with blades made from galvanised sheet steel
- Closing which makes it possible to extract the body easily and quickly
- External terminal board

Motor:

- Motor with Long Life ball bearings, IPX4 protection
- Single-phase 220-240V. 50Hz
- Working temperature: -10°C +250°C

Finish:

- Anticorrosive in heat-resistant paint

Order code

TUB — 200



TUB: In-line fans with removable bodies and small size for high temperatures (250°C)



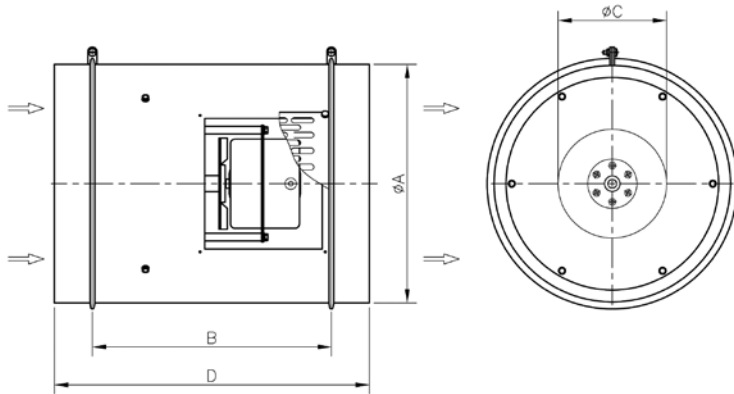
Inlet diameter in mm

Technical characteristics

Model	Speed (r/min)	Maximum admissible current 220-240V (A)	Absorbed Power (W)	Maximum Airflow (m ³ /h)	Irradiated sound level (*) dB(A)	Approx. weight (Kg)
TUB-200	2780	0.30	68	250	39	7
TUB-225	2765	0.32	75	330	41	8
TUB-250	2760	0.35	80	400	43	9
TUB-315	2600	0.85	180	830	48	13

(*) The radiated sound pressure levels are free field measurements at 3 metres with rigid tubes during inlet and outlet.

Dimensions in mm

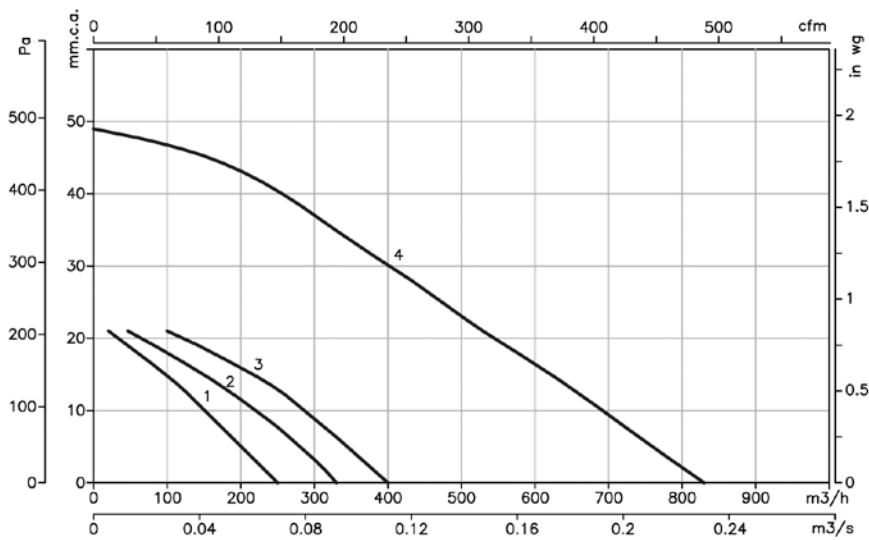


Model	ϕA	B	ϕC	D
TUB-200	200	255	116.5	355
TUB-225	225	255	116.5	355
TUB-250	250	255	116.5	355
TUB-315	315	315	142.5	415

Characteristic Curves

Q = Airflow in m³/h, m³/s and cfm.

Pe = Static pressure in mm.w.c., Pa and in wg.



- 1: TUB-200
- 2: TUB-225
- 3: TUB-250
- 4: TUB-315

Accessories

See the accessories section.



STUB